

FIG. 11.3. The first stages of a high-fidelity audio amplifier, showing the Baxandall tone-control network.

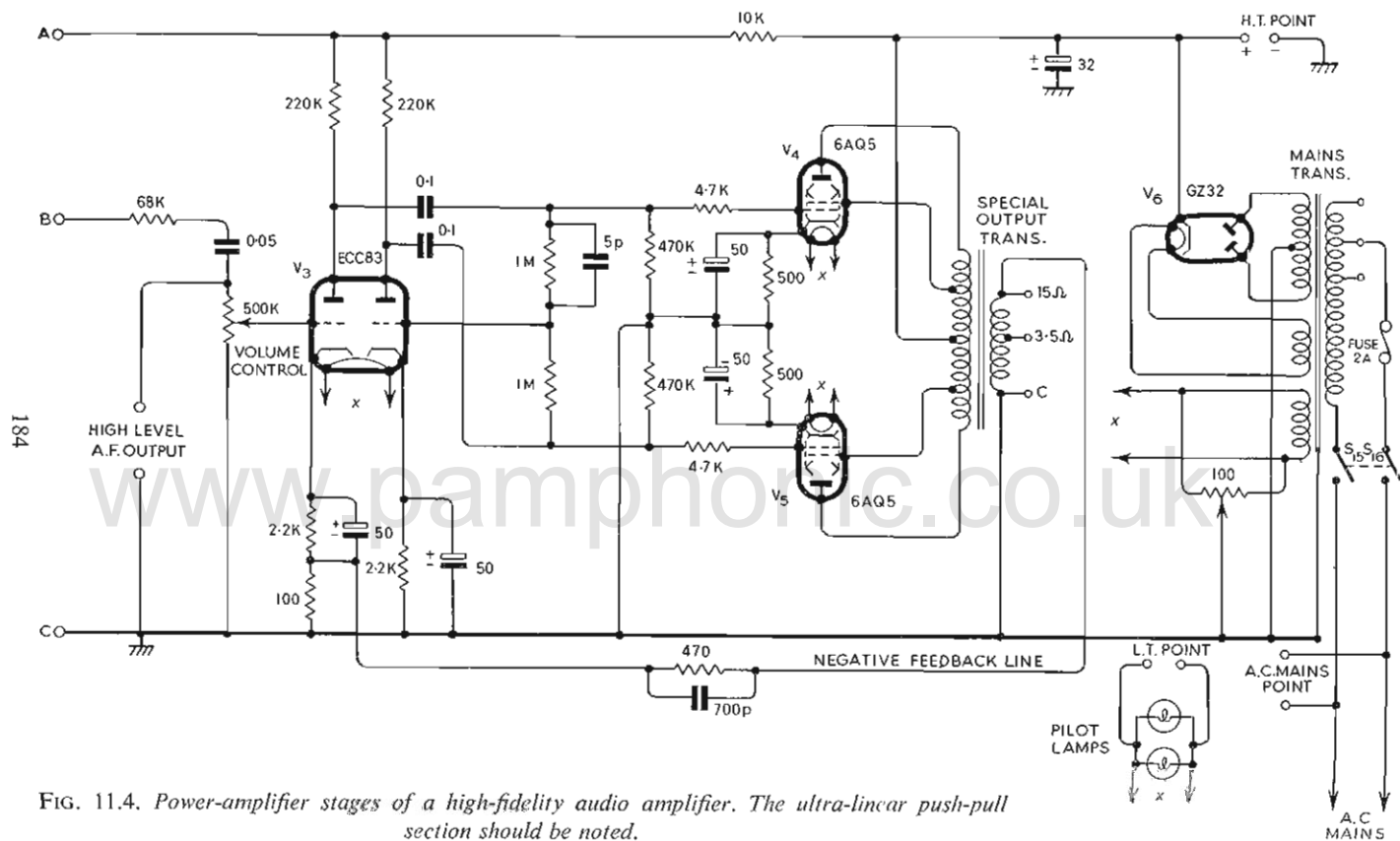


FIG. 11.4. Power-amplifier stages of a high-fidelity audio amplifier. The ultra-linear push-pull section should be noted.